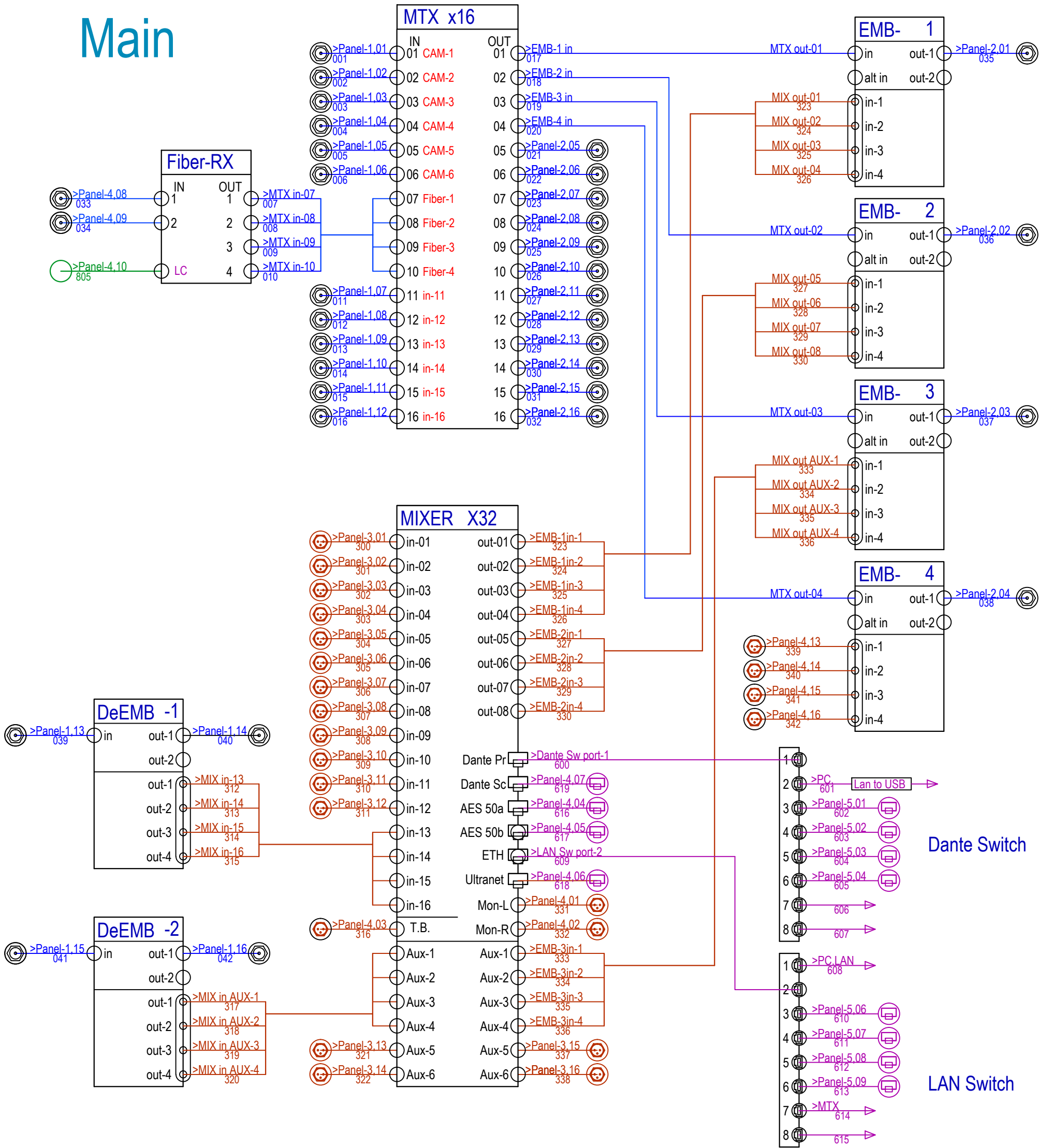


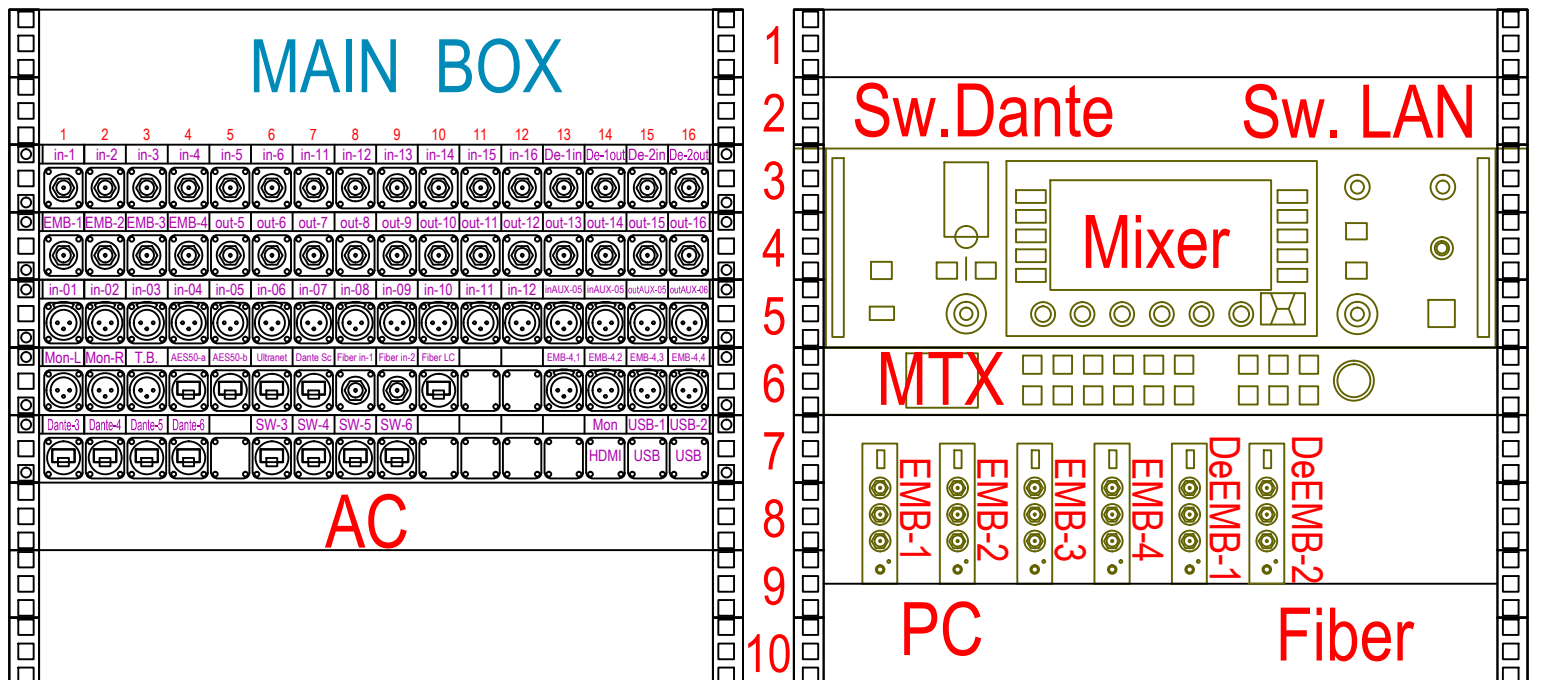
Main



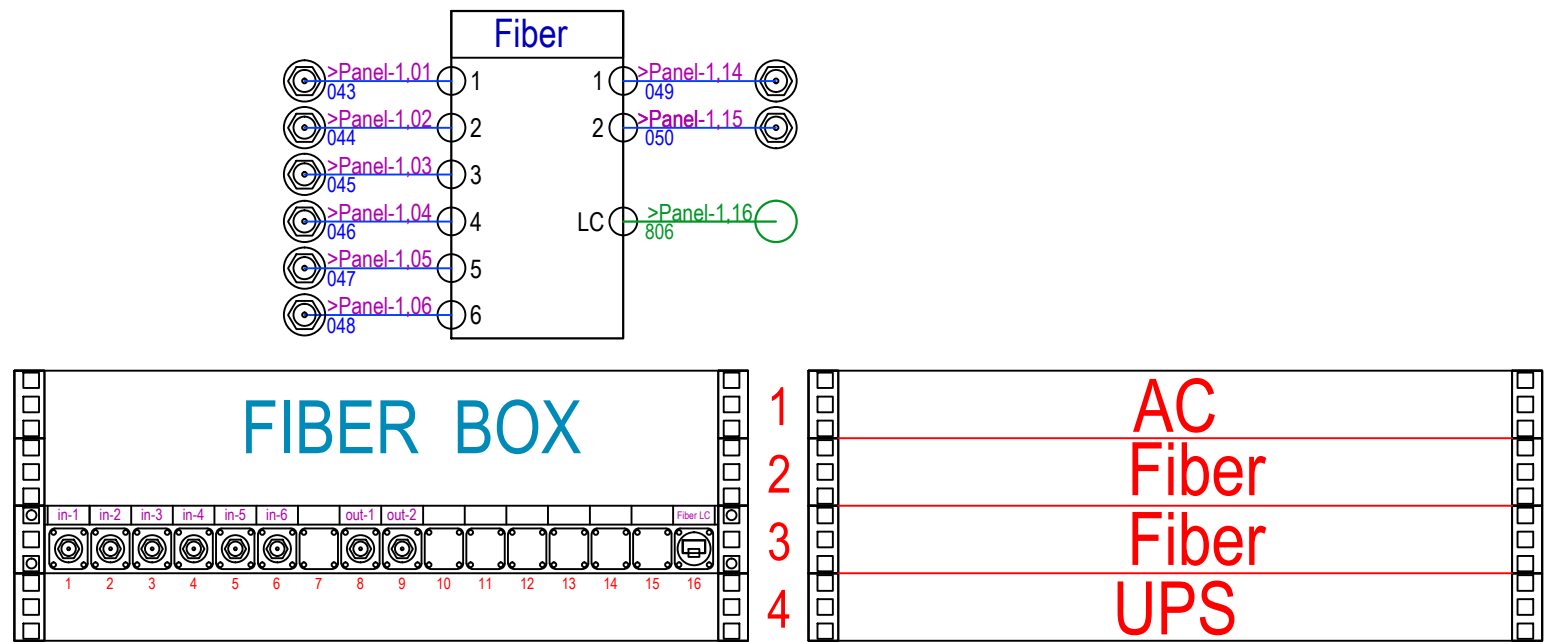
I/O SYSTEMS
 www.iosystems.co.il
 פרויקט: תיבת שידור
 מזמין: אריה זנזורי
 תכנון: אסף חסון
 נבדק: אופיר בן-ישי

Contents:
 Main RACK

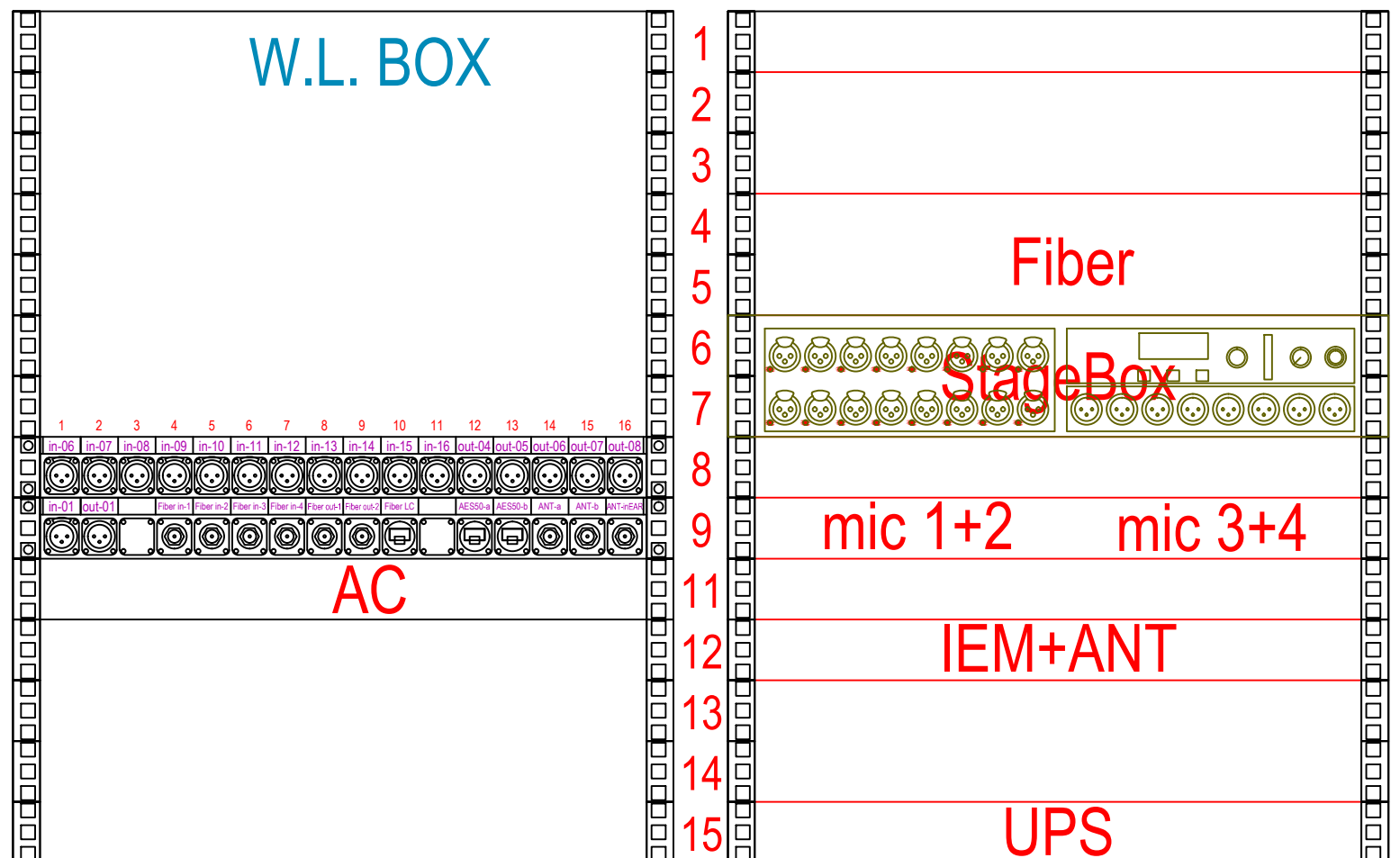
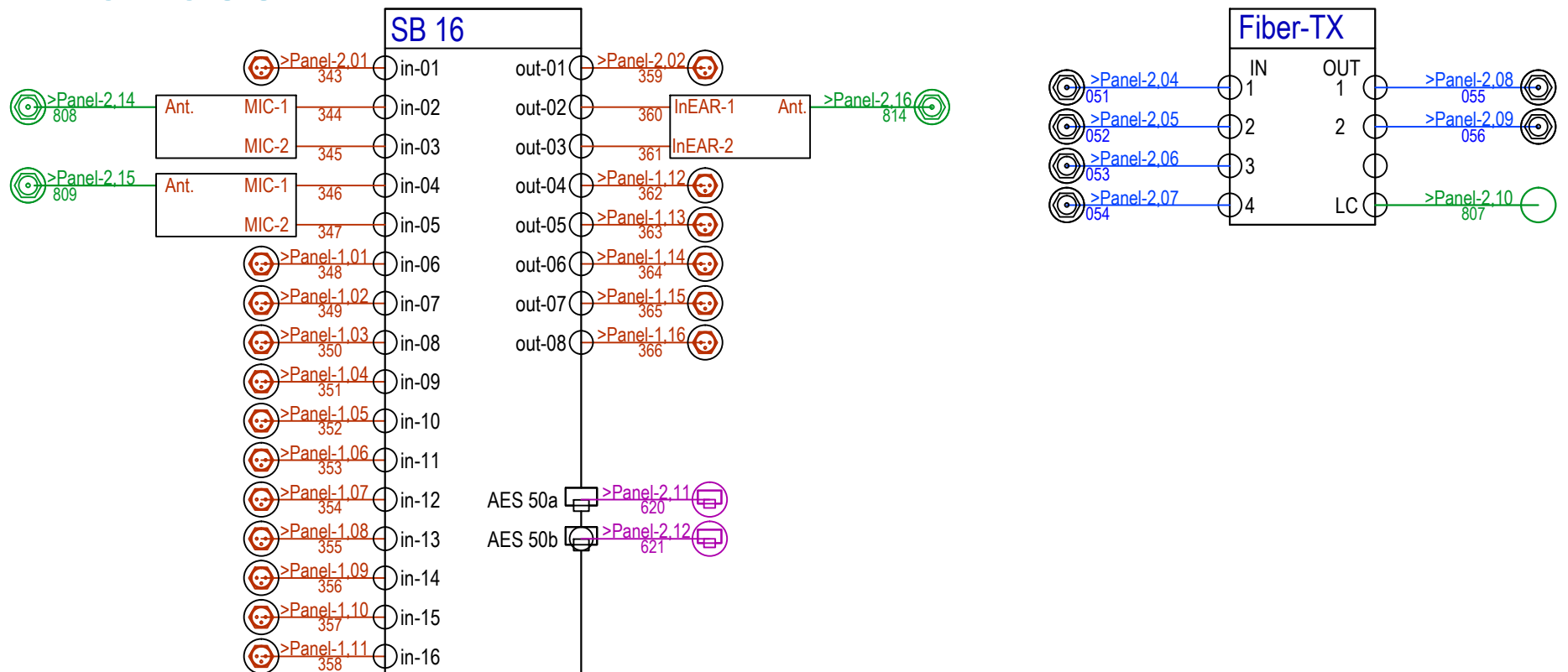
sport 5 box.dwg
 Date 01/04/2020
 Page No. 1



Fiber



WireLess



| |
|---------------------|
| I/O SYSTEMS |
| www.iosystems.co.il |
| פרויקט: תיבת שידור |
| מזמין: אריה דנזורי |
| תכנון: אסף חסון |
| נבדק: אופיר בן-ישי |
| Contents: |
| W.L. RACK |
| Fiber RACK |
| sport 5 box.dwg |
| Date 01/04/2020 |
| Page No. 2 |

| NO' | SIDE-A | SIDE-B | |
|--------------|----------------|--------------|--------------|
| VIDEO | | | |
| 001 | MTX in 01 | P# 1,01 | MAIN |
| 002 | MTX in 02 | P# 1,02 | |
| 003 | MTX in 03 | P# 1,03 | |
| 004 | MTX in 04 | P# 1,04 | |
| 005 | MTX in 05 | P# 1,05 | |
| 006 | MTX in 06 | P# 1,06 | |
| 007 | MTX in 07 | FIBER RX O-1 | |
| 008 | MTX in 08 | FIBER RX O-2 | |
| 009 | MTX in 09 | FIBER RX O-3 | |
| 010 | MTX in 10 | FIBER RX O-4 | |
| 011 | MTX in 11 | P# 1,07 | |
| 012 | MTX in 12 | P# 1,08 | |
| 013 | MTX in 13 | P# 1,09 | |
| 014 | MTX in 14 | P# 1,10 | |
| 015 | MTX in 15 | P# 1,11 | |
| 016 | MTX in 16 | P# 1,12 | |
| 017 | MTX out 01 | EMB 1 in | |
| 018 | MTX out 02 | EMB 2 in | |
| 019 | MTX out 03 | EMB 3 in | |
| 020 | MTX out 04 | EMB 4 in | |
| 021 | MTX out 05 | P# 2,05 | |
| 022 | MTX out 06 | P# 2,06 | |
| 023 | MTX out 07 | P# 2,07 | |
| 024 | MTX out 08 | P# 2,08 | |
| 025 | MTX out 09 | P# 2,09 | |
| 026 | MTX out 10 | P# 2,10 | |
| 027 | MTX out 11 | P# 2,11 | |
| 028 | MTX out 12 | P# 2,12 | |
| 029 | MTX out 13 | P# 2,13 | |
| 030 | MTX out 14 | P# 2,14 | |
| 031 | MTX out 15 | P# 2,15 | |
| 032 | MTX out 16 | P# 2,16 | |
| 033 | FIBER RX in 1 | P# 4,08 | |
| 034 | FIBER RX in 2 | P# 4,09 | |
| 035 | EMB 1 out | P# 2,01 | |
| 036 | EMB 2 out | P# 2,02 | |
| 037 | EMB 3 out | P# 2,03 | |
| 038 | EMB 4 out | P# 2,04 | |
| 039 | DeEMB 1 in | P# 1,13 | |
| 040 | DeEMB 1 out | P# 1,14 | |
| 041 | DeEMB 2 in | P# 1,15 | |
| 042 | DeEMB 2 out | P# 1,16 | |
| 043 | FIBER IN 1 | P# 1,01 | FIBER |
| 044 | FIBER IN 2 | P# 1,02 | |
| 045 | FIBER IN 3 | P# 1,03 | |
| 046 | FIBER IN 4 | P# 1,04 | |
| 047 | FIBER IN 5 | P# 1,05 | |
| 048 | FIBER IN 6 | P# 1,06 | |
| 049 | FIBER OUT 1 | P# 1,14 | |
| 050 | FIBER OUT 2 | P# 1,15 | |
| 051 | FIBER TX IN 1 | P# 2,04 | W.L |
| 052 | FIBER TX IN 2 | P# 2,05 | |
| 053 | FIBER TX IN 3 | P# 2,06 | |
| 054 | FIBER TX IN 4 | P# 2,07 | |
| 055 | FIBER TX OUT 1 | P# 2,08 | |
| 056 | FIBER TX OUT 2 | P# 2,09 | |

| NO' | SIDE-A | SIDE-B | |
|--------------|---------------|---------------|-------------|
| AUDIO | | | |
| 300 | X32 in 01 | P# 3,01 | MAIN |
| 301 | X32 in 02 | P# 3,02 | |
| 302 | X32 in 03 | P# 3,03 | |
| 303 | X32 in 04 | P# 3,04 | |
| 304 | X32 in 05 | P# 3,05 | |
| 305 | X32 in 06 | P# 3,06 | |
| 306 | X32 in 07 | P# 3,07 | |
| 307 | X32 in 08 | P# 3,08 | |
| 308 | X32 in 09 | P# 3,09 | |
| 309 | X32 in 10 | P# 3,10 | |
| 310 | X32 in 11 | P# 3,11 | |
| 311 | X32 in 12 | P# 3,12 | |
| 312 | X32 in 13 | DeEMB 1 out 1 | |
| 313 | X32 in 14 | DeEMB 1 out 2 | |
| 314 | X32 in 15 | DeEMB 1 out 3 | |
| 315 | X32 in 16 | DeEMB 1 out 4 | |
| 316 | X32 T.B | P# 4,03 | |
| 317 | X32 AUX in 1 | DeEMB 2 out 1 | |
| 318 | X32 AUX in 2 | DeEMB 2 out 2 | |
| 319 | X32 AUX in 3 | DeEMB 2 out 3 | |
| 320 | X32 AUX in 4 | DeEMB 2 out 4 | |
| 321 | X32 AUX in 5 | P# 3,13 | |
| 322 | X32 AUX in 6 | P# 3,14 | |
| 323 | X32 out 01 | EMB 1 in 1 | |
| 324 | X32 out 02 | EMB 1 in 2 | |
| 325 | X32 out 03 | EMB 1 in 3 | |
| 326 | X32 out 04 | EMB 1 in 4 | |
| 327 | X32 out 05 | EMB 2 in 1 | |
| 328 | X32 out 06 | EMB 2 in 2 | |
| 329 | X32 out 07 | EMB 2 in 3 | |
| 330 | X32 out 08 | EMB 2 in 4 | |
| 331 | X32 MON L | P# 4,01 | |
| 332 | X32 MON R | P# 4,02 | |
| 333 | X32 AUX out 1 | EMB 3 in 1 | |
| 334 | X32 AUX out 2 | EMB 3 in 2 | |
| 335 | X32 AUX out 3 | EMB 3 in 3 | |
| 336 | X32 AUX out 4 | EMB 3 in 4 | |
| 337 | X32 AUX out 5 | P# 3,15 | |
| 338 | X32 AUX out 6 | P# 3,16 | |
| 339 | EMB 4 in 1 | P# 4,13 | |
| 340 | EMB 4 in 2 | P# 4,14 | |
| 341 | EMB 4 in 3 | P# 4,15 | |
| 342 | EMB 4 in 4 | P# 4,16 | |
| 343 | S16 IN 1 | P# 2,01 | W.L |
| 344 | S16 IN 2 | MIC 1 | |
| 345 | S16 IN 3 | MIC 2 | |
| 346 | S16 IN 4 | MIC 3 | |
| 347 | S16 IN 5 | MIC 4 | |
| 348 | S16 IN 6 | P# 1,01 | |
| 349 | S16 IN 7 | P# 1,02 | |
| 350 | S16 IN 8 | P# 1,03 | |
| 351 | S16 IN 9 | P# 1,04 | |
| 352 | S16 IN 10 | P# 1,05 | |
| 353 | S16 IN 11 | P# 1,06 | |
| 354 | S16 IN 12 | P# 1,07 | |
| 355 | S16 IN 13 | P# 1,08 | |
| 356 | S16 IN 14 | P# 1,09 | |
| 357 | S16 IN 15 | P# 1,10 | |
| 358 | S16 IN 16 | P# 1,11 | |
| 359 | S16 OUT 1 | P# 2,02 | |
| 360 | S16 OUT 2 | InEar 1 | |
| 361 | S16 OUT 3 | InEar 2 | |
| 362 | S16 OUT 4 | P# 1,12 | |
| 363 | S16 OUT 5 | P# 1,13 | |
| 364 | S16 OUT 6 | P# 1,14 | |
| 365 | S16 OUT 7 | P# 1,15 | |
| 366 | S16 OUT 8 | P# 1,16 | |

| NO' | SIDE-A | SIDE-B | |
|---------------------------|-----------------------|-----------------------|--------------|
| NETWORK | | | |
| 600 | DANTE SW 1 | X32 DANTE PR | MAIN |
| 601 | DANTE SW 2 | PC VIA USB | |
| 602 | DANTE SW 3 | P# 5,01 | |
| 603 | DANTE SW 4 | P# 5,02 | |
| 604 | DANTE SW 5 | P# 5,03 | |
| 605 | DANTE SW 6 | P# 5,04 | |
| 606 | DANTE SW 7 | XXXXXXXXXX | |
| 607 | DANTE SW 8 | XXXXXXXXXX | |
| 608 | LAN SW 1 | PC LAN | |
| 609 | LAN SW 2 | X32 ETH | |
| 610 | LAN SW 3 | P# 5,06 | |
| 611 | LAN SW 4 | P# 5,07 | |
| 612 | LAN SW 5 | P# 5,08 | |
| 613 | LAN SW 6 | P# 5,09 | |
| 614 | LAN SW 7 | MTX NET | |
| 615 | LAN SW 8 | | |
| 616 | AES 50a | P# 4,04 | |
| 617 | AES 50b | P# 4,05 | |
| 618 | X32 Ultranet | P# 4,06 | |
| 619 | X32 DANTE SC | P# 4,07 | |
| 620 | S16 A50A | P# 2,11 | W.L |
| 621 | S16 A50B | P# 2,12 | |
| HDMI/FIBER/USB/ANT | | | |
| 800 | PC HDMI | P# 5,14 | MAIN |
| 801 | XXXXXXXXXX | XXXXXXXXXX | |
| 802 | PC USB 1 | P# 5,15 | |
| 803 | PC USB 2 | P# 5,16 | |
| 804 | XXXXXXXXXX | XXXXXXXXXX | |
| 805 | FIBER RX in | P# 4,10 | FIBER |
| 806 | FIBER MAIN | P# 1,16 | |
| 807 | FIBER TX in | P# 2,10 | W.L |
| 808 | ANT B IN | P# 2,14 | |
| 809 | ANT A IN | P# 2,15 | |
| 810 | ANT A OUT | MIC 1 | |
| 811 | ANT A OUT | MIC 2 | |
| 812 | ANT B OUT | MIC 1 | |
| 813 | ANT B OUT | MIC 2 | |
| 814 | InEar ANT | P# 2,16 | |